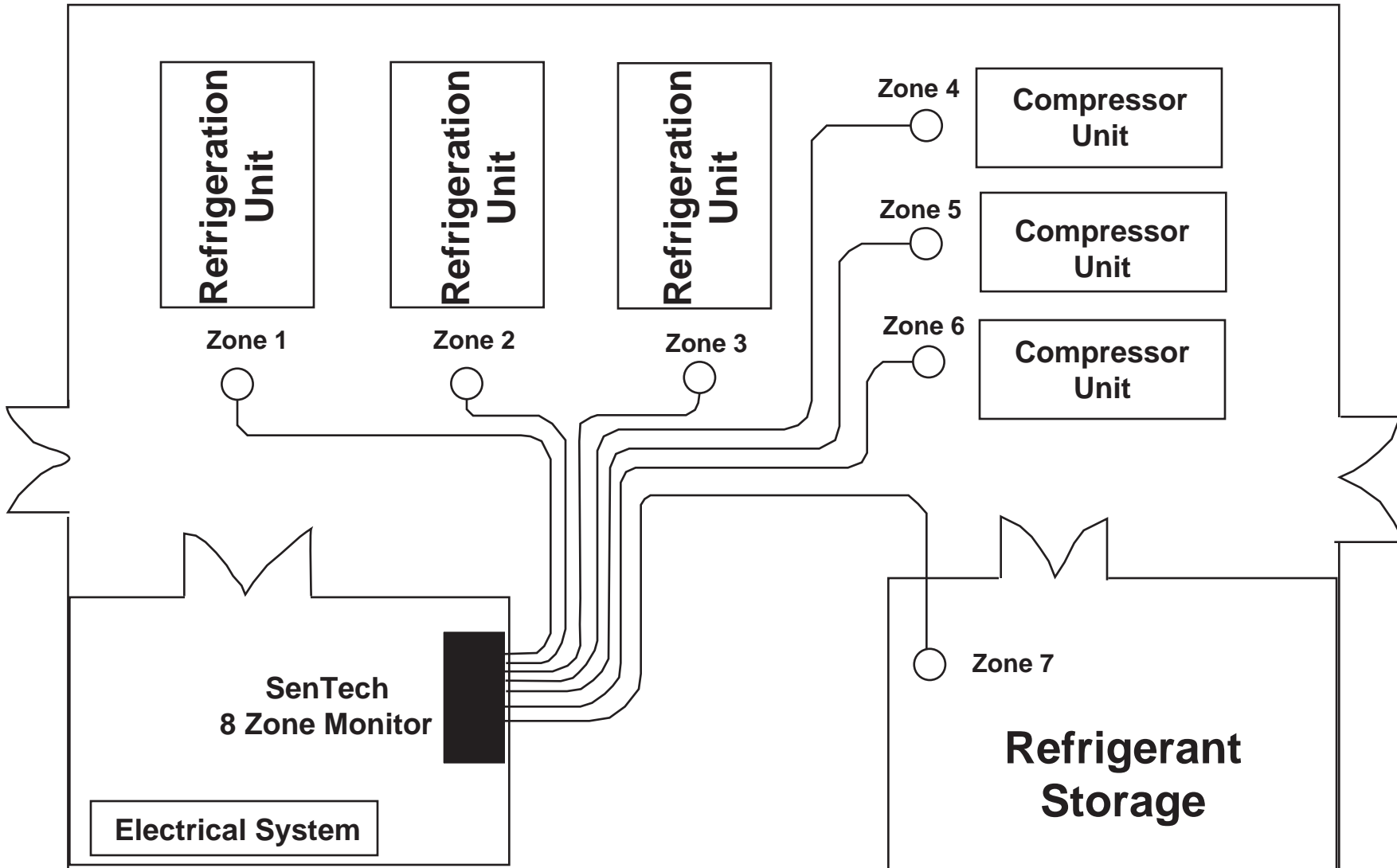




## SenTech Multizone System - Typical Installation



**Note:** In accordance with ASHRAE Standard 15-1994, the pickup points "shall be located in an area where the refrigerant from a leak is likely to concentrate."

Example 4