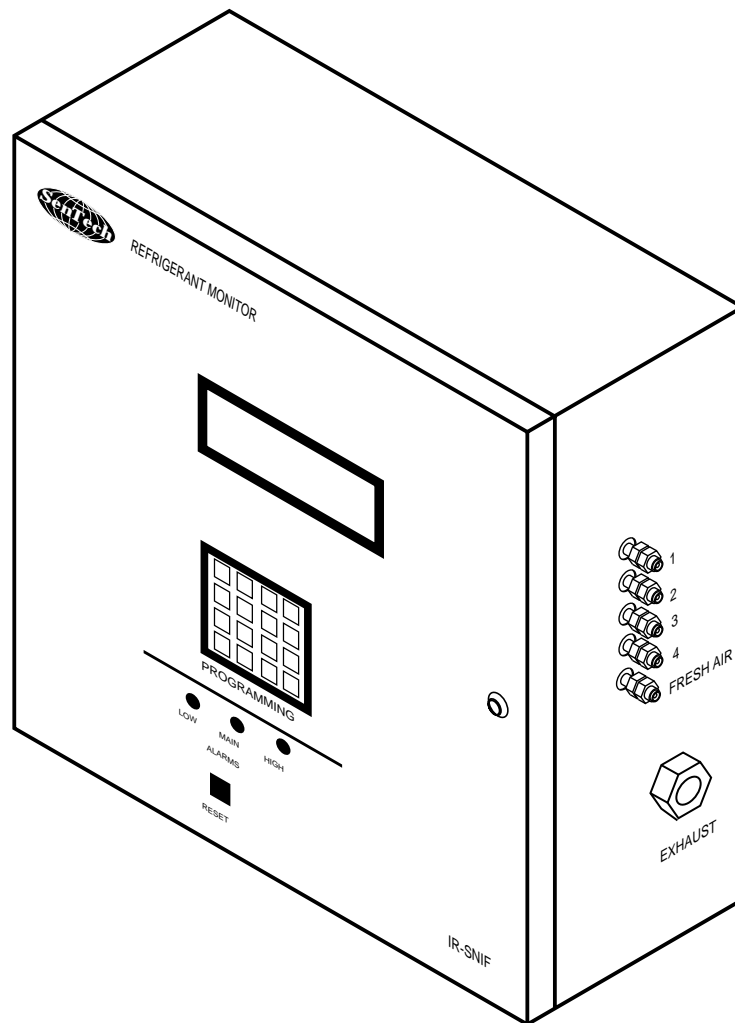


IR-SNIF INDIVIDUAL ZONE ALARM OUTPUT OPTION

Please use this addendum in conjunction with your system manual



INTRODUCTION

This addendum provides the installation and wiring instructions for the individual zone alarm output option. The addendum should be used in conjunction with the main Installation and Operation Manual of your system.

Your monitor includes as standard Low, Main and High Alarm Relays which are energized when any zone enters one or more of the Alarm Modes. This option provides an additional set of dry contact closures indicating which zones are in Main or High alarm. **Note: a Low Alarm does not actuate the Zone Alarm Relay.** This capability is provided by the addition of an eight relay expansion board, which is at the bottom of the monitor. Each zone alarm output relay has a set of normally open contacts which are closed when that zone is in alarm.

INSTALLATION AND WIRING

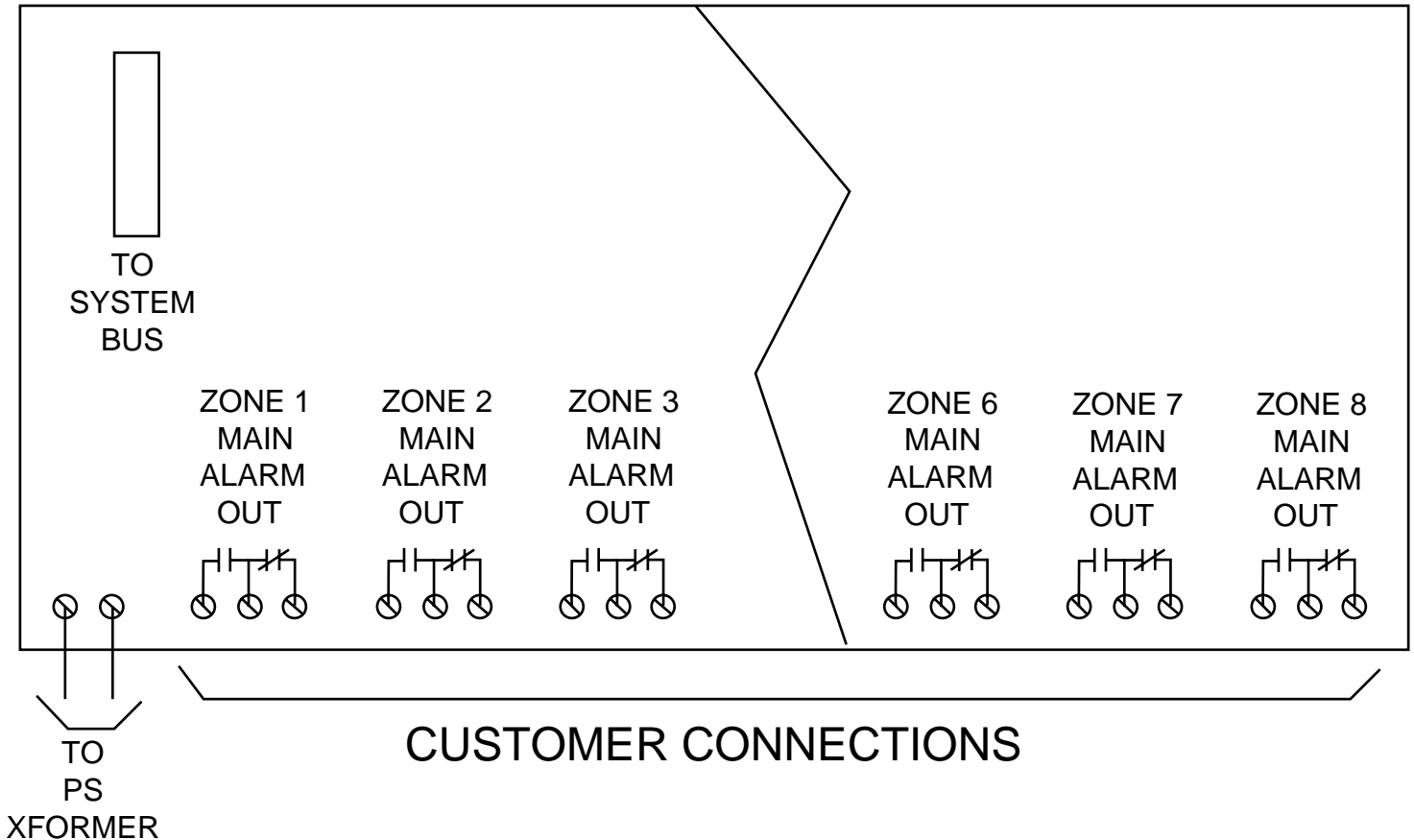
Before proceeding with wiring for the individual zone alarm output, familiarize yourself with the installation of the Monitor as outlined in the main Installation and Operations Manual.

Figure 1 is an illustration and wiring diagram of the option. For noise suppression reasons, the relay contacts are over voltage protected at 48 Volts.

⚠ CAUTION

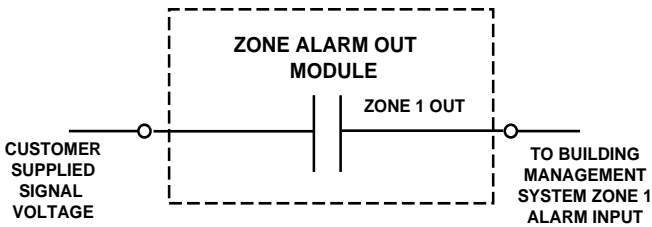
THE RELAY CONTACTS SHOULD BE USED WITHIN THEIR RATINGS:

**1 AMP MAX
30 VOLTS AC OR DC**



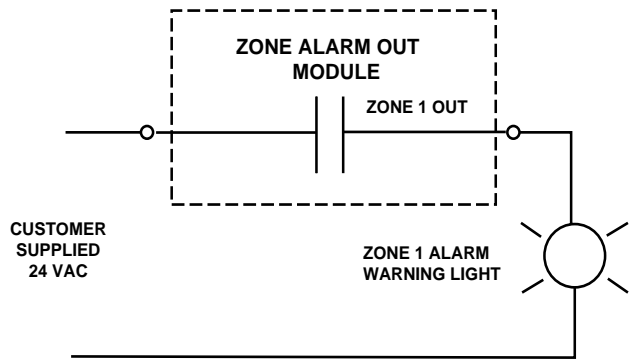
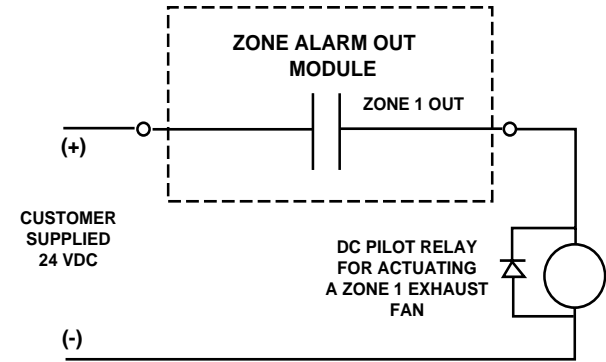
ZONE ALARM OUTPUT WIRING DIAGRAM

Figure 1



Having confirmed proper operation, reset the monitor.

(Attached is a copy of the expansion module instruction sheet.)



Typical Customer Connections
Figure 2

Figure 2 illustrates some typical examples of utilizing the individual zone alarm outputs. After deciding on how to use the signal, double check that the selected loads do not exceed the contact ratings of the module.

Install the wiring from each Zone Alarm Output to the devices selected.

After completing and double checking the wiring, you can test for proper operation by putting the system into alarm. (Refer to the Installation and Operations Manual of your monitor.) Once the system is in alarm, the relay for the zone in alarm should be energized. Closing the contacts and turning your device ON. The red LED behind the relay for that zone will also be lit.